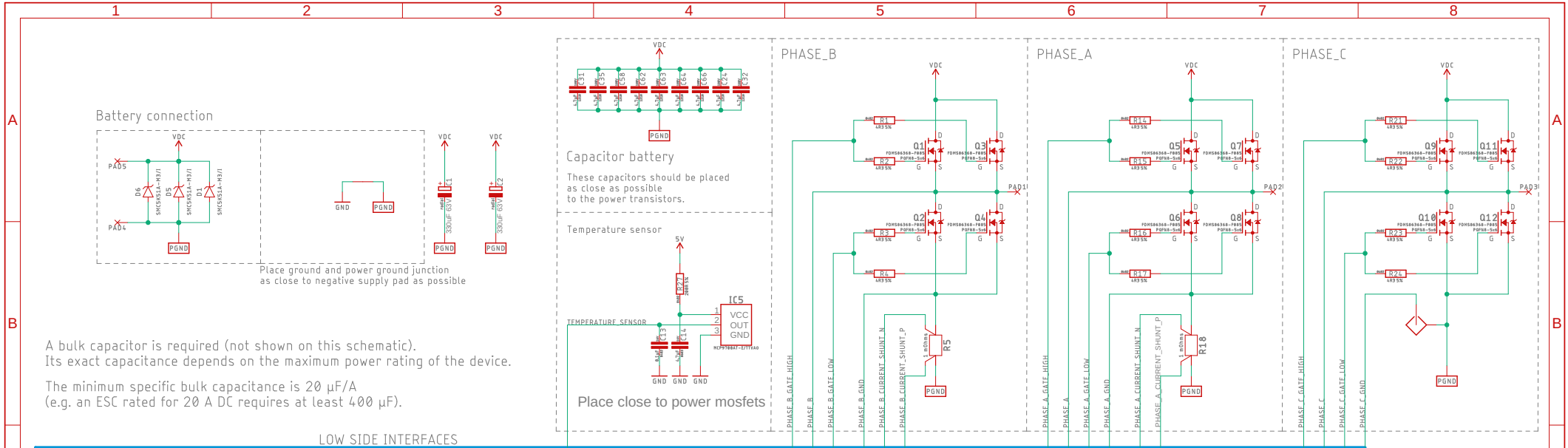


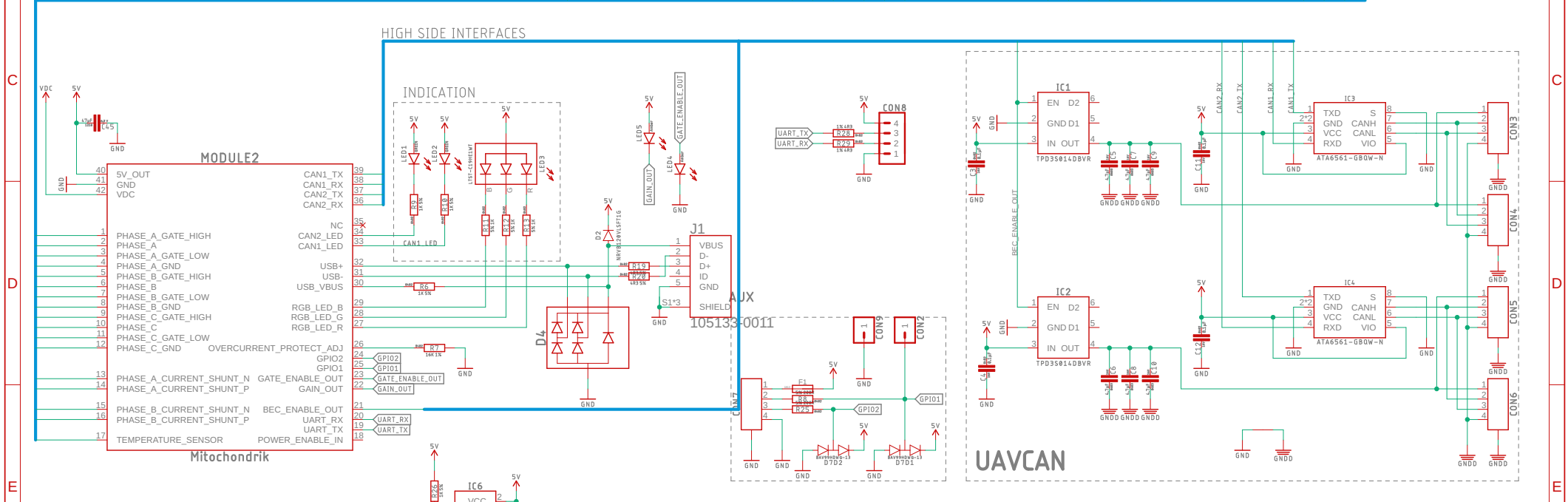
Power should be connected with multi-strand 12AWG wire in silicone insulation



A bulk capacitor is required (not shown on this schematic). Its exact capacitance depends on the maximum power rating of the device. The minimum specific bulk capacitance is 20  $\mu\text{F}/\text{A}$  (e.g. an ESC rated for 20 A DC requires at least 400  $\mu\text{F}$ ).

LOW SIDE INTERFACES

HIGH SIDE INTERFACES



In case CAN2 is not used leave pins CAN2\_TX CAN2\_RX floating.  
 In case POWER\_ENABLE\_IN is not used, leave it floating.

